

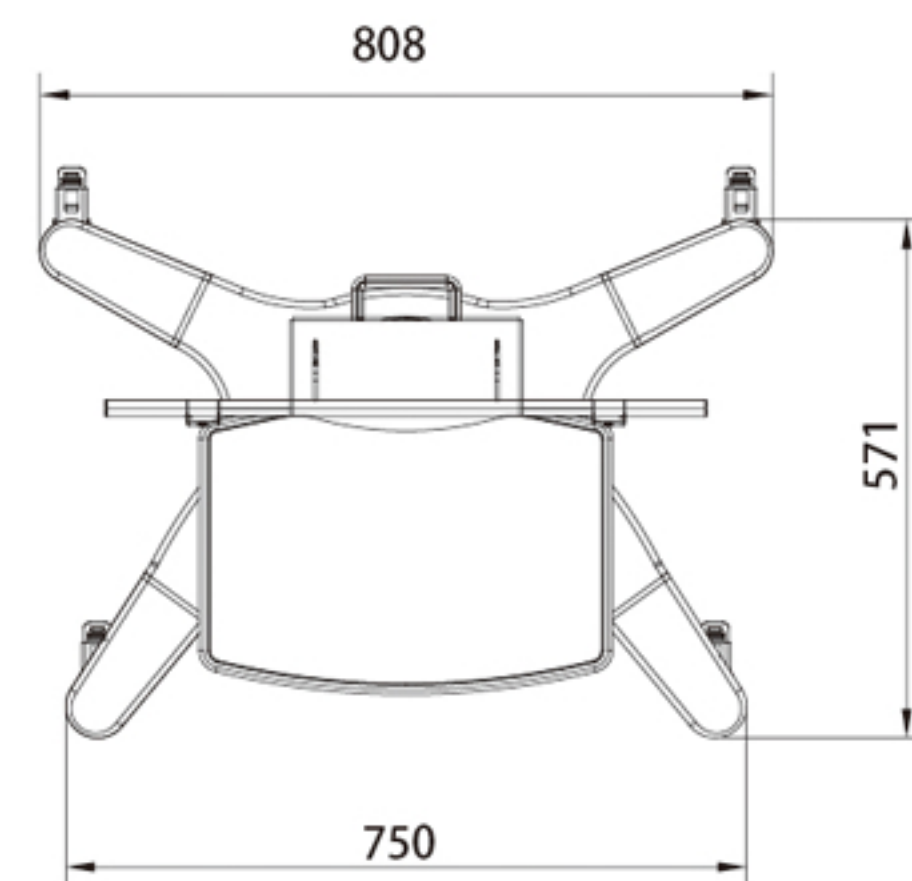
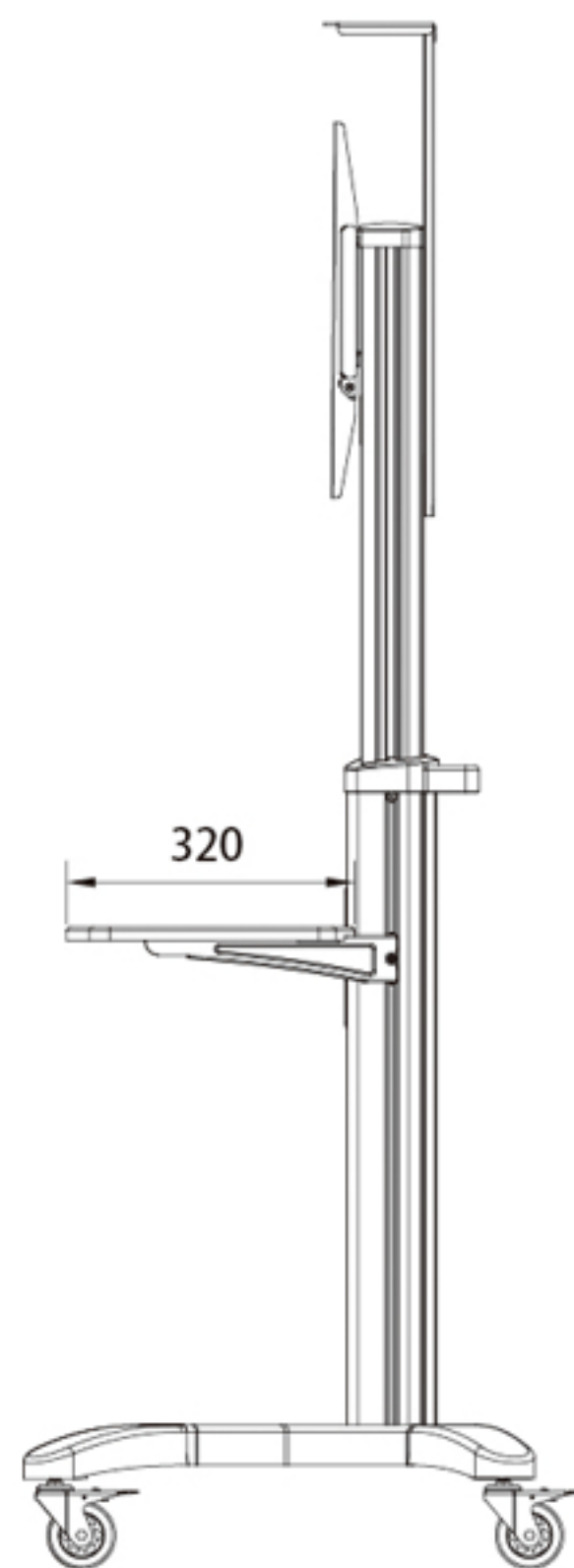
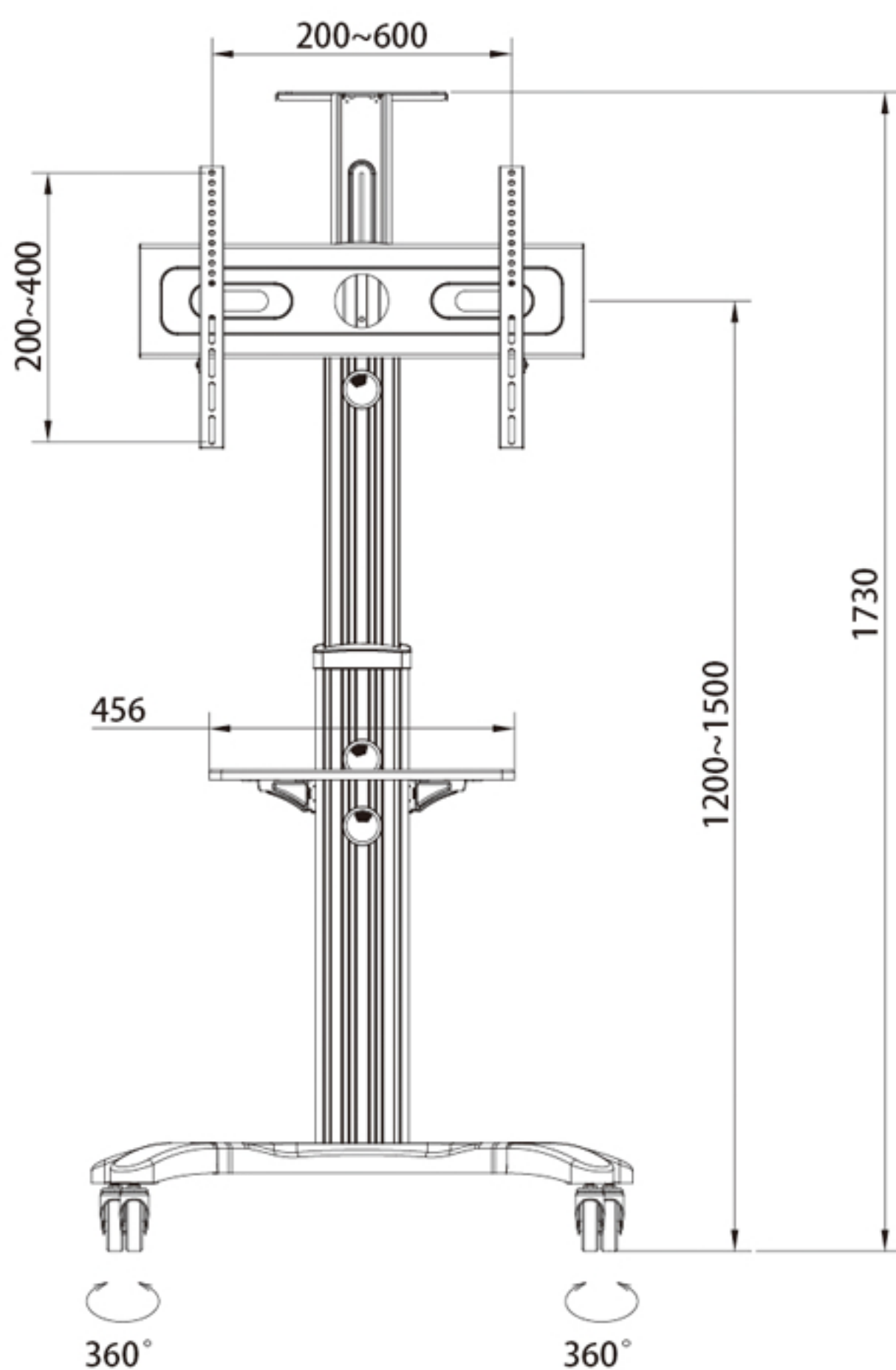


Ergonomics Interactive Mobile Car

AVF1500-50-1P



Model	AVF1500-50-1P	Color	Black / White	Carton size	87x46x21 cm
Screen Size	32-65"	Upright distance	300 mm	Carton pack	1
Capacity	36.4 kg	Height adjustment	1200-1500 mm	Carton gross weight	19.65 kg
Material built	Alu alloy	Shelf dimension	455-320 mm	Palletized quantity	14
Base structure	Modular	VESA range	200 x 200-600 x 400 mm	20 GP quantity	308
		Product gross weight	19.65 kg	40 HQ quantity	756



Unit: mm